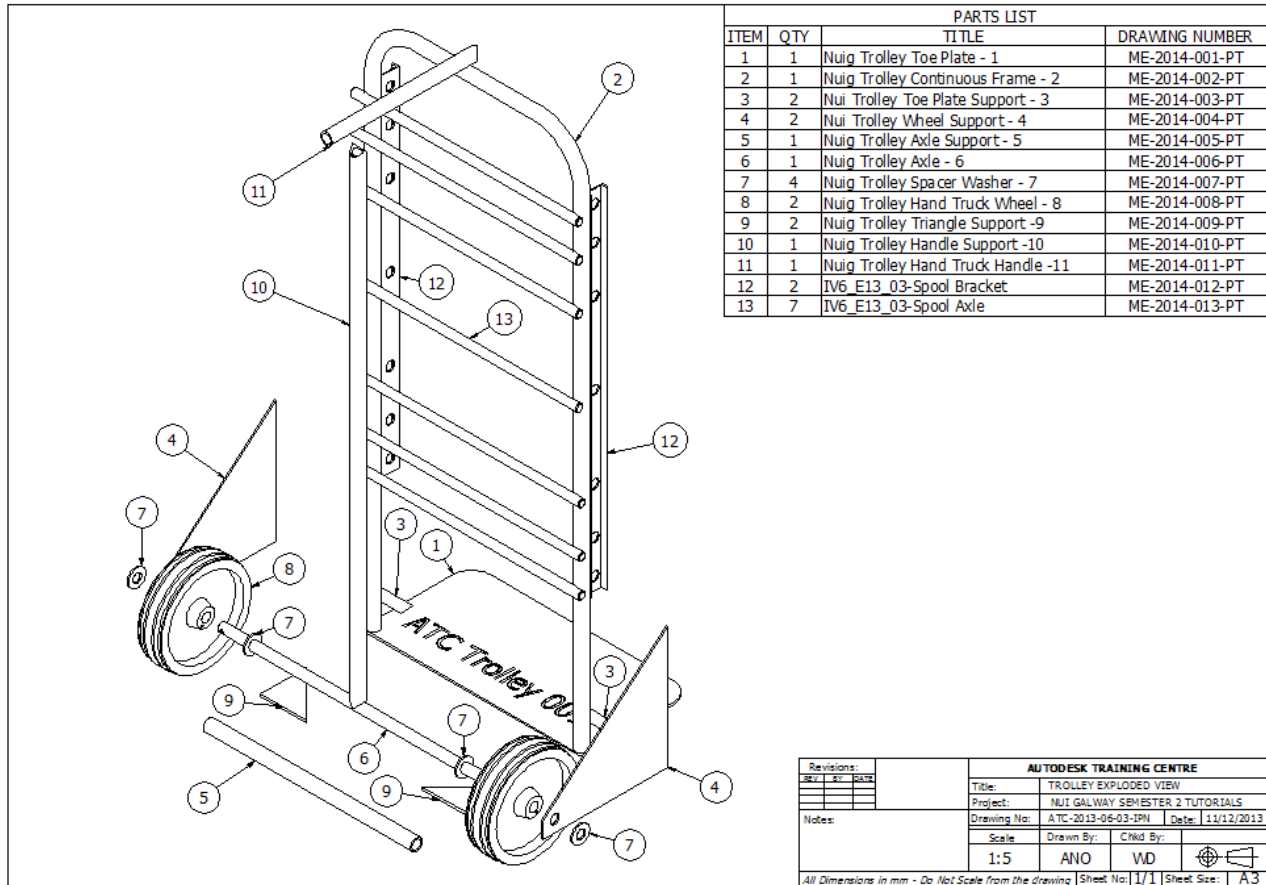




ASSIGNMENT 8 – YEAR 2



Produce an A3 engineering drawing of your Trolley presentation layout completed.

Complete the title block and add item balloons.

Insert a parts list and edit so it conforms to ISO standards

Save the drawing as Assignment 8.dwfx for handing in.